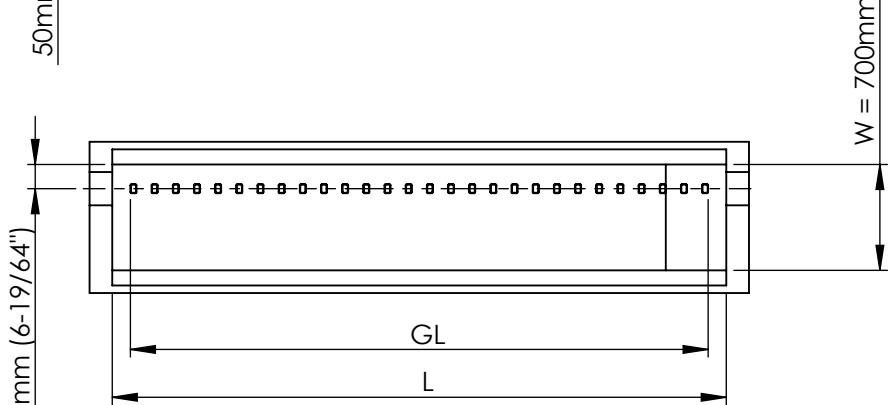
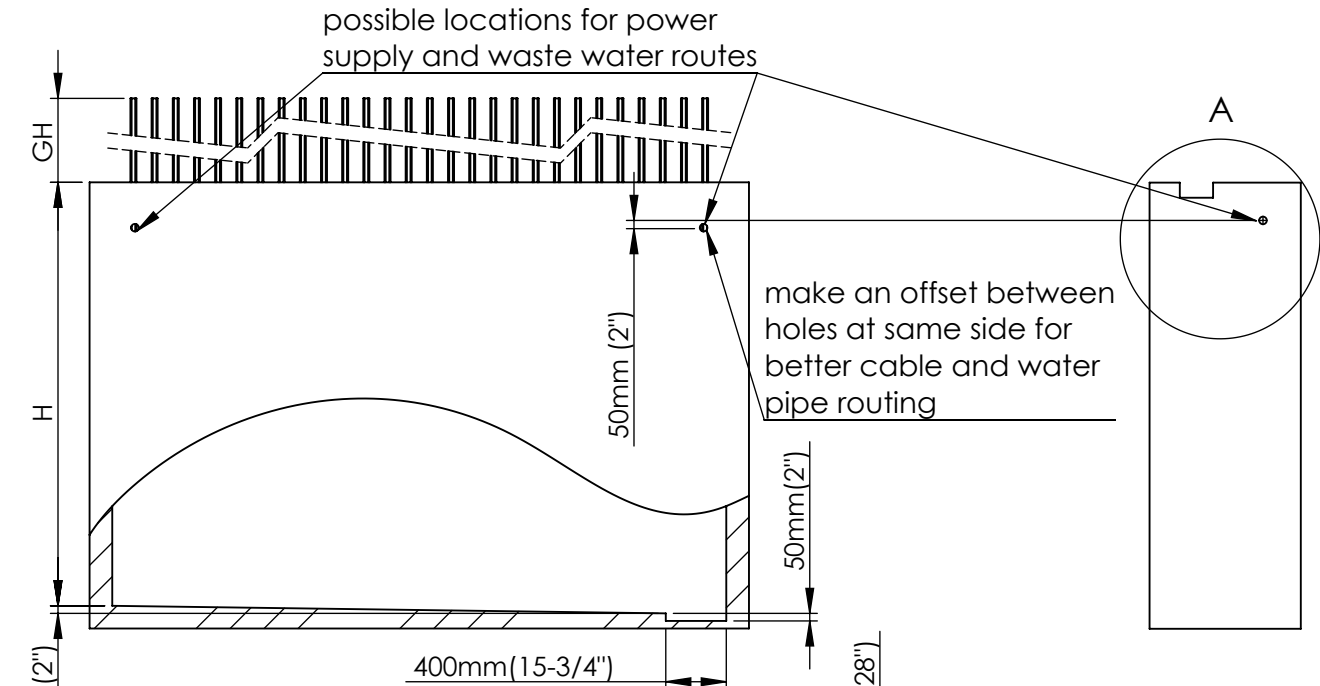


Concrete vault dimensions (single gate section)



W - concrete width
W = 700mm (28")

GL - gate length

L - concrete length,
L = GL + 100mm (4")

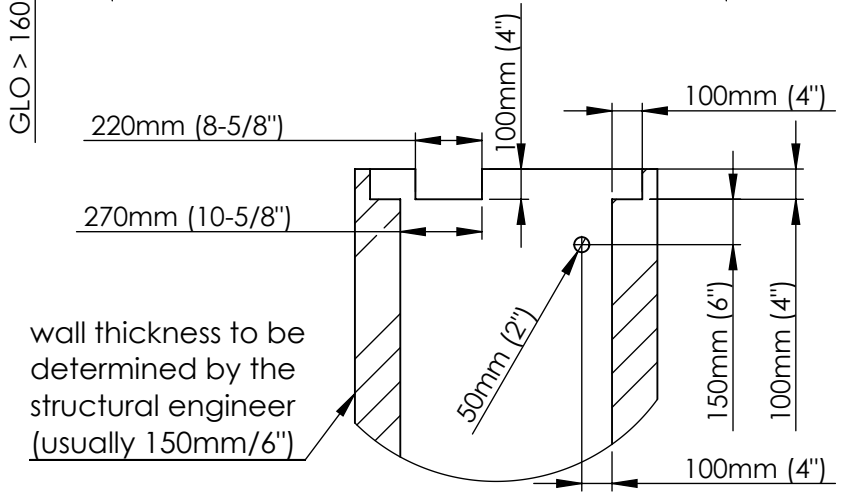
GH - gate height above the finished level

H - concrete height:
for GH ≤ 1400mm (55")
H = 2300mm (90-1/2")

for GH > 1400mm (55")
H = GH + 900mm (36")

GLO - gate line offset:
for standard 40x60mm pickets
GLO = 160mm (6-19/64")

for larger pickets, ask for details
GLO > 160mm (6-19/64")



A (1 : 25)



FancyFence GmbH
Strasse der Jugend 18
14974 Ludwigsfelde Deutschland

Tel. +49 3378 888 99 80
e-mail: info@fancyfence.de